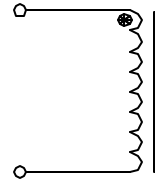


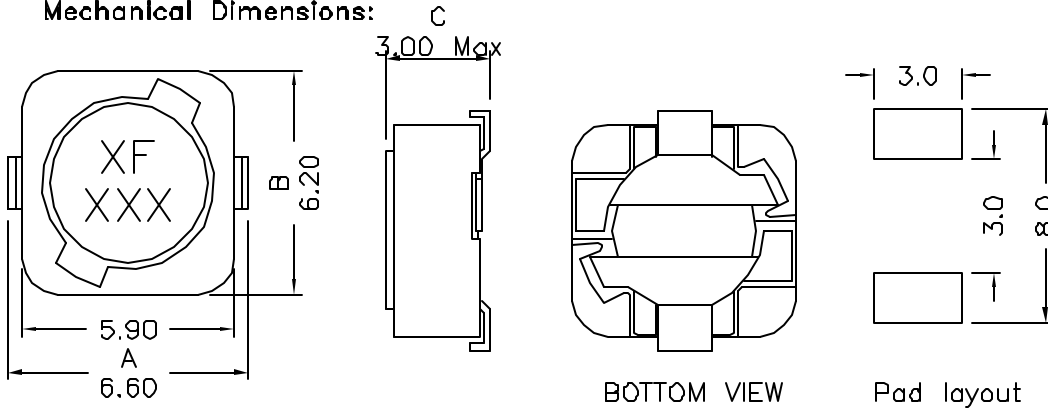
XFTP62B SMT POWER INDUCTORS

- High Inductance, High DC Current Capability
- True Surface Mount Design
- Tape & Reel Packaging Standard, 1500 Pcs per 13" Reel
- Custom designs available At No Extra Charge
- Economical Low Cost Solution For All Your Power Needs

Schematic:



Mechanical Dimensions:



UNLESS OTHERWISE SPECIFIED
 TOLERANCES:
 .xx ±0.30
 Dimensions in MM

Part Number	INDUCTANCE (uH) ±20%	DCR (Ohm)	Rated D.C. Current (A)
XFTP62B-2R9	3.3	0.068	1.94
XFTP62B-4R0	4.7	0.080	1.63
XFTP62B-5R5	5.5	0.096	1.40
XFTP62B-100	10	0.15	1.10
XFTP62B-120	12	0.20	1.00
XFTP62B-150	15	0.23	0.90
XFTP62B-180	18	0.27	0.80
XFTP62B-220	22	0.34	0.74
XFTP62B-270	27	0.38	0.66
XFTP62B-330	33	0.45	0.59
XFTP62B-390	39	0.49	0.54
XFTP62B-470	47	0.69	0.50
XFTP62B-560	56	0.78	0.46
XFTP62B-680	68	1.07	0.42
XFTP62B-820	82	1.21	0.38
XFTP62B-101	100	1.39	0.34
XFTP62B-121	120	1.90	0.31
XFTP62B-151	150	2.18	0.28
XFTP62B-181	180	2.77	0.26
XFTP62B-221	220	3.12	0.23
XFTP62B-271	270	4.38	0.22
XFTP62B-331	330	4.94	0.19

OCL TEST: 100KHz, 0.1V